

i

The installation guide icons include the following information:

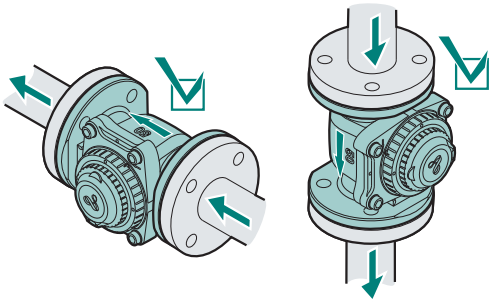
- Temperature Ranges:**
 - max. +50°C
 - min. +1°C
- Flow Direction:** Arrows indicate the correct direction of water flow through the meter.
- Valve Position:** Icons show valves should be open for installation and closed for operation.
- Orientation:** Icons show the meter should be installed vertically with the top cover facing up.
- Access:** Icons show the meter should be installed in an accessible location, not behind walls or under pipes.
- Protection:** Icons show the meter should be protected from physical damage and frost.
- Stock:** An icon of a box labeled 'STOCK' with a hands icon indicates that the meter should be kept in its original packaging until ready for use.

WESAN WP G / WS G / WPV G

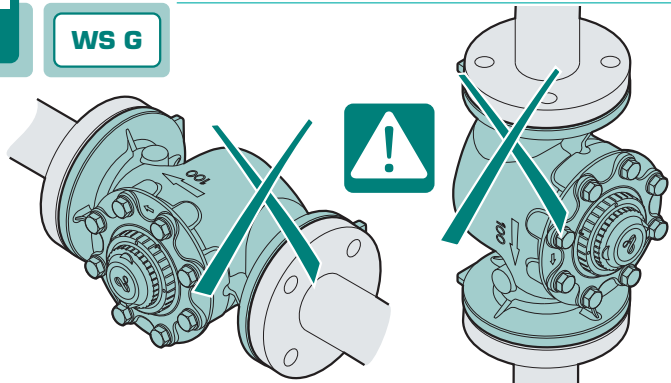


WP G

WPV G



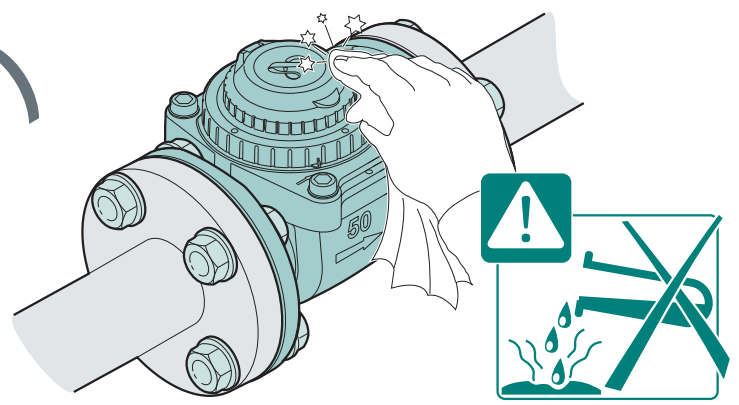
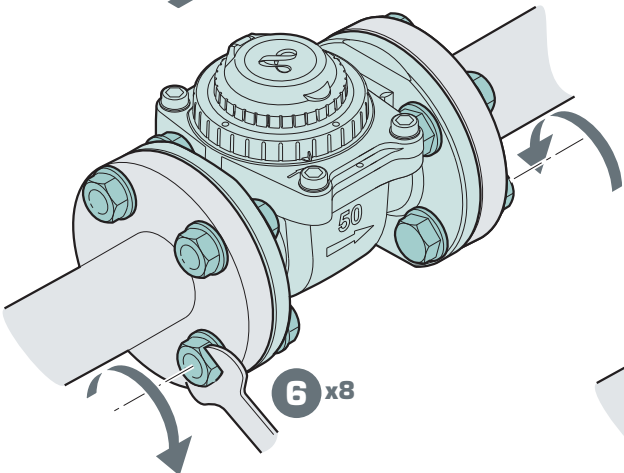
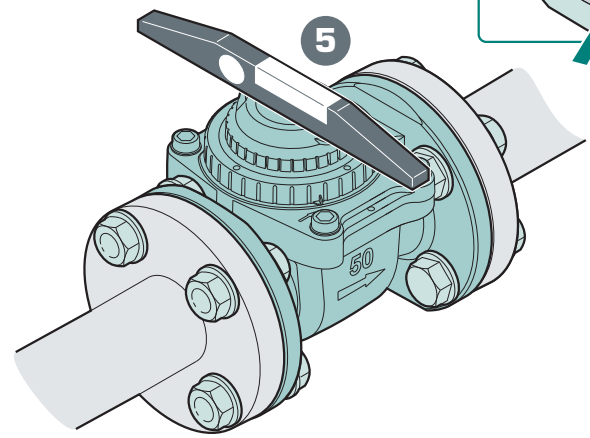
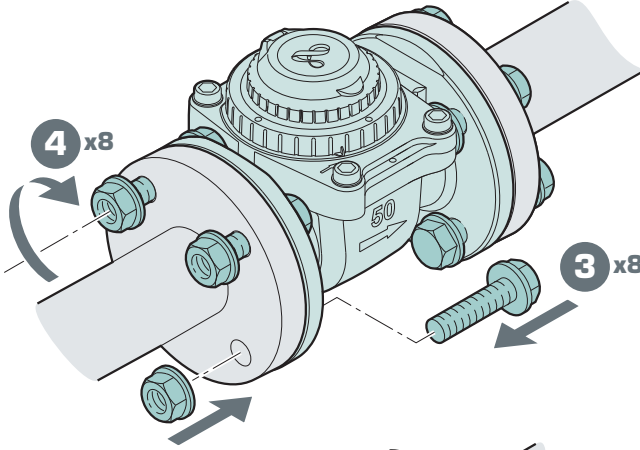
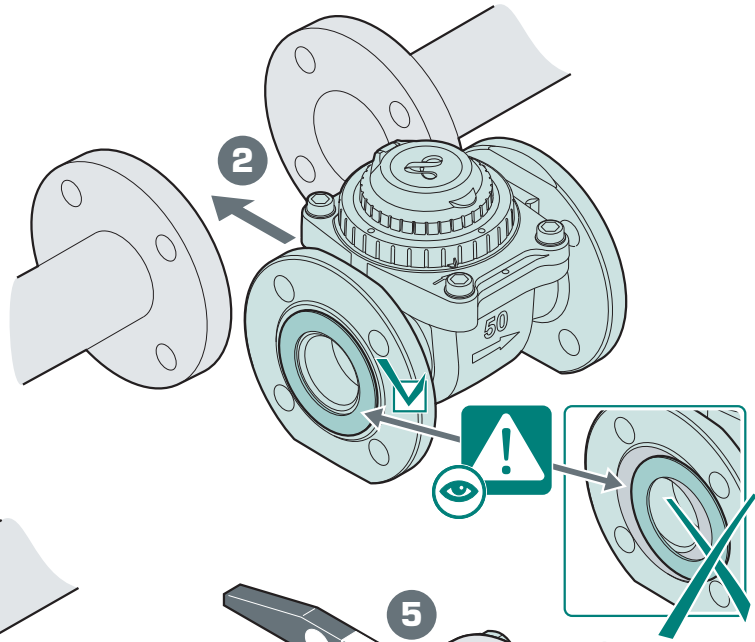
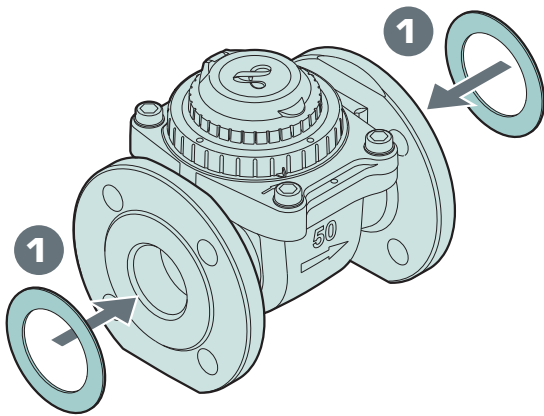
WS G



WP G

WPV G

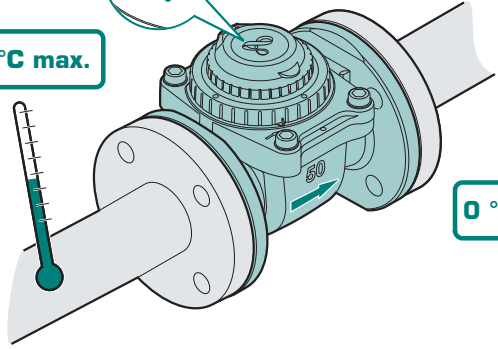
WS G



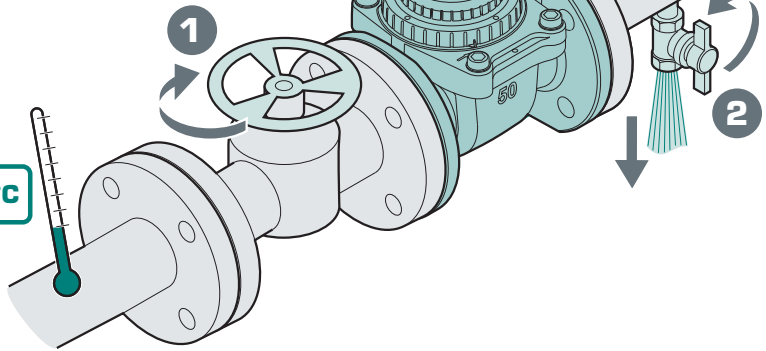
WESAN WP G / WS G / WPV G



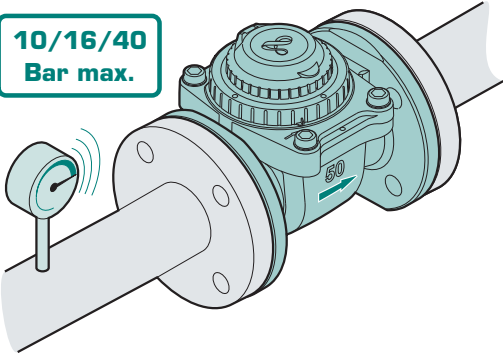
50 °C max.



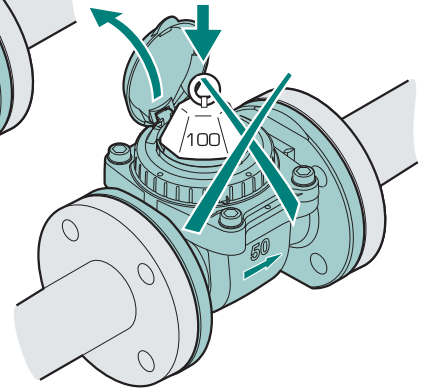
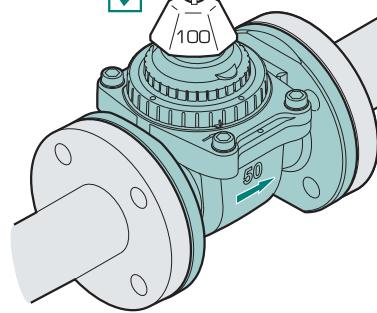
0 °C



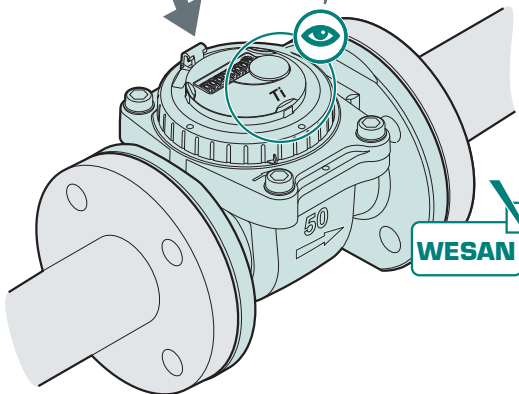
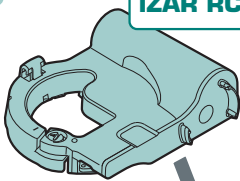
10/16/40
Bar max.



100 kg max.



IZAR RC i



WESAN



IZAR RC i

