



# AVK FIXED LENGTH EXT. SPINDLE FOR GATE VALVES

SERIES 04/02

Mounting instruction / Montagevejledning  
Einbauanleitung / Instruction de montage



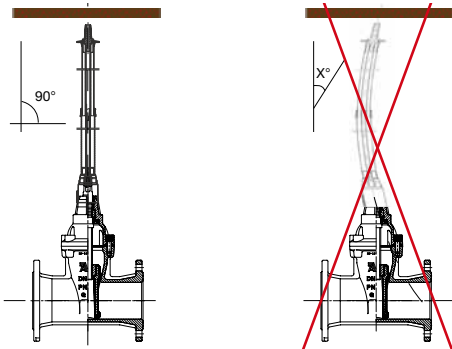
## AVK fixed length extension spindle

Part No.: XXXXXXXXXX



**DN 50-125:  
Max. 200 Nm**

**DN 150-400:  
Max. 400 Nm**



Expect... **AVK**