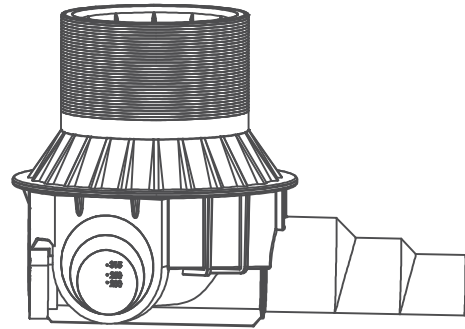
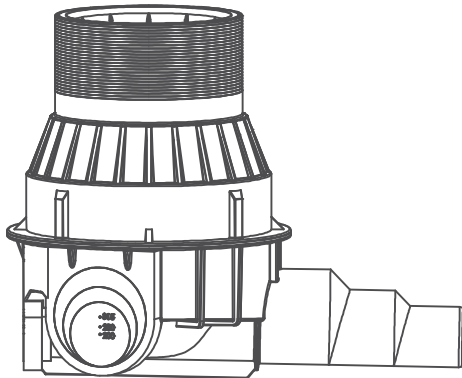


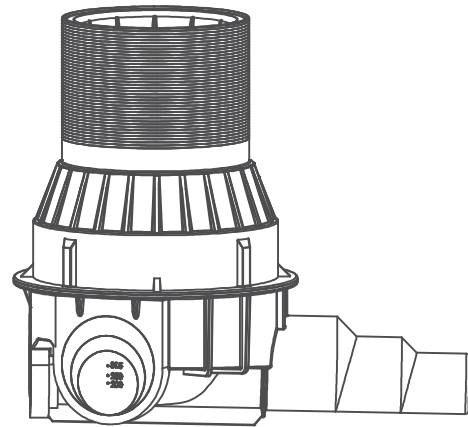
80/85



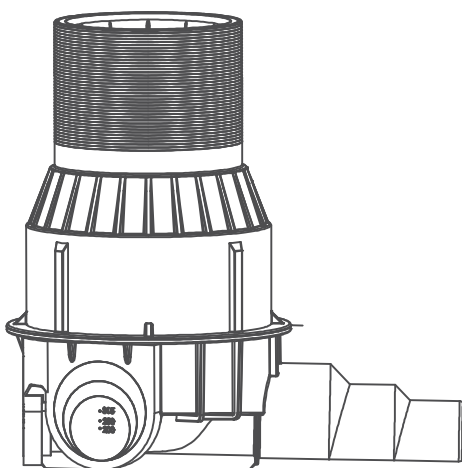
80/100



80/115



80/130



80/145

	3C 80 XXX 315
H(C)	85,100,115,130,145