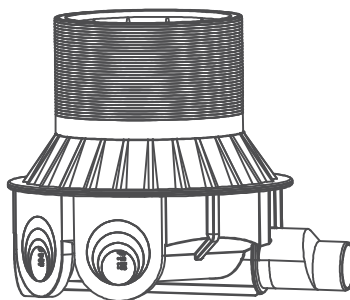
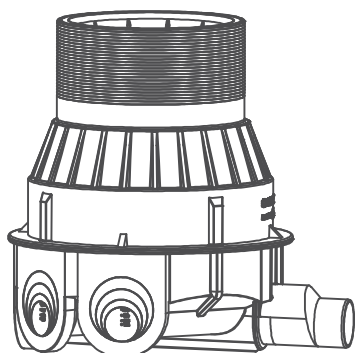
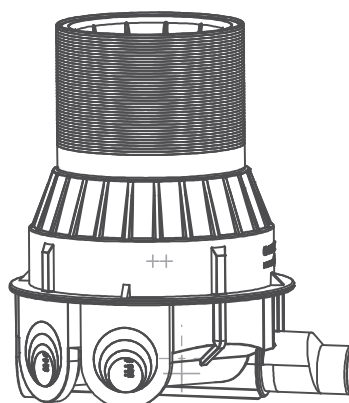
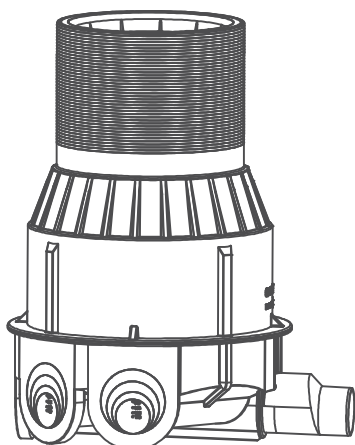
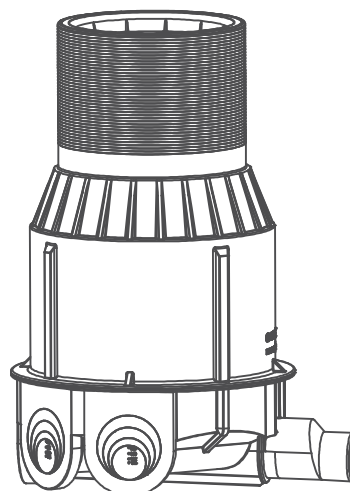
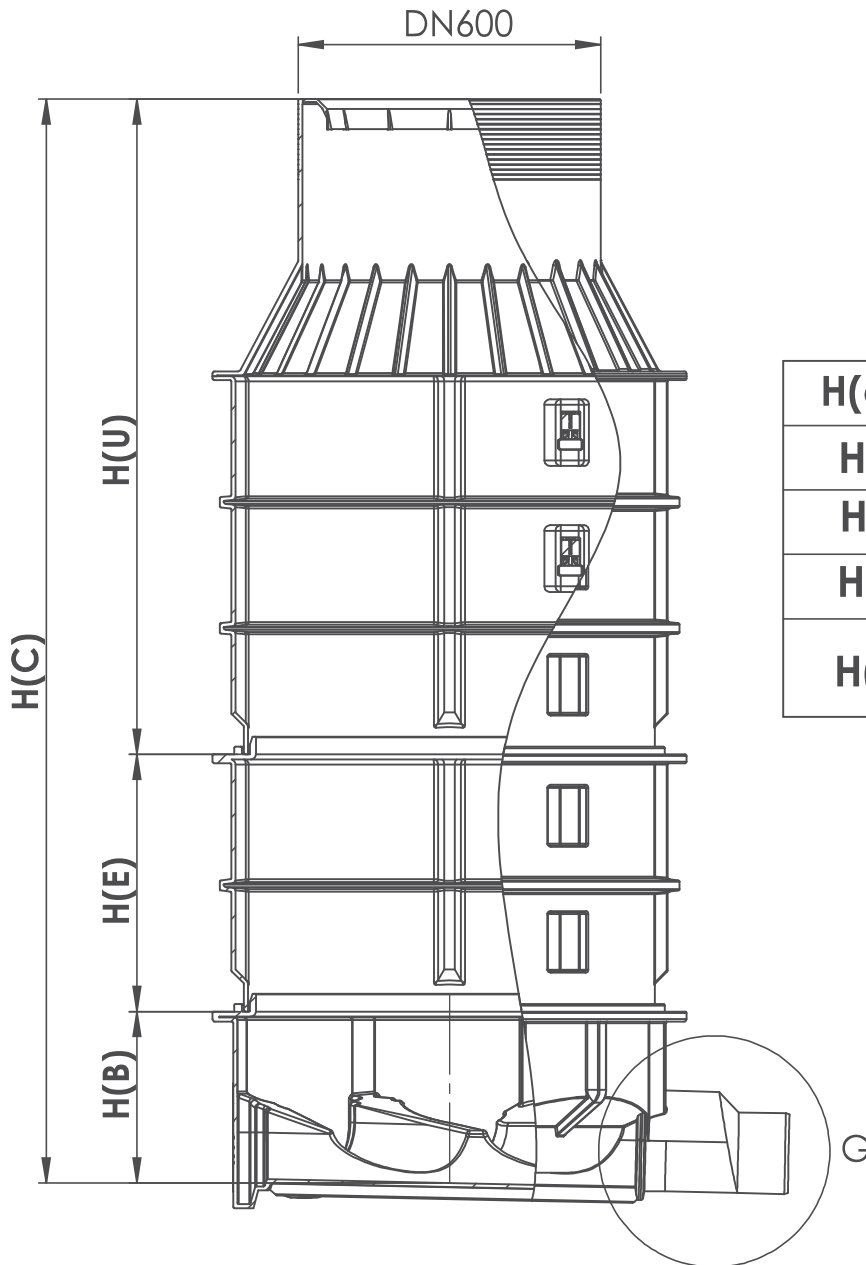
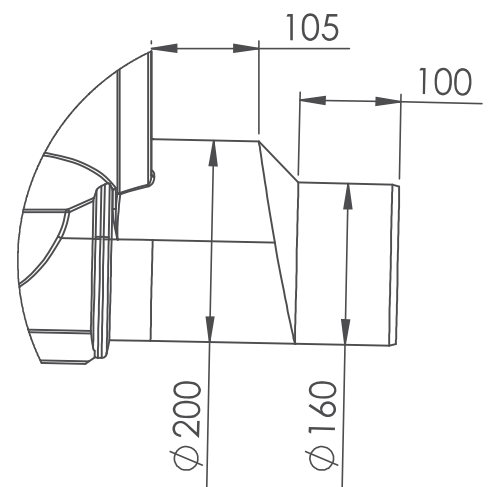
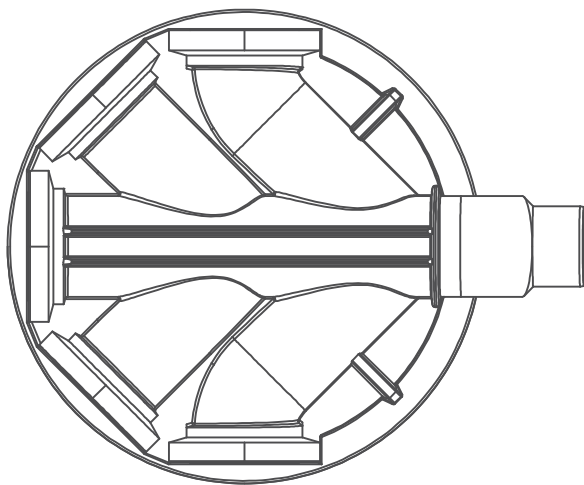

80/75

80/90

80/105

80/120

80/135

80/150

	5C 80 XXX 200
H(C)	75,90,105,120,135,150



H(cm)	5CK 80 XXX 200
H(B)	30
H(E)	50, 75
H(U)	105, 130
H(C)	135, 160, 185, 210 235, 260, 285, 310

Ø	Ø min	Ø max
160	159	160.5
200	199	200.6



DETAIL G
SCALE 2 : 15