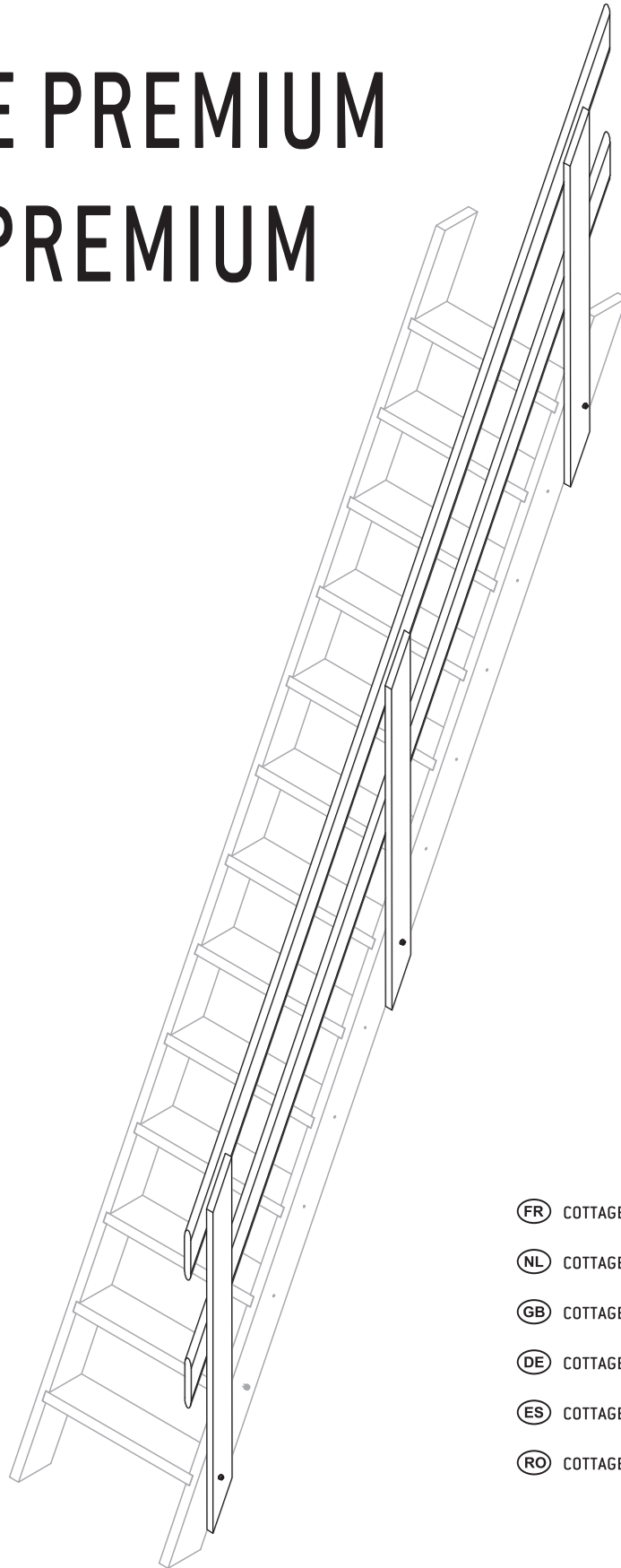
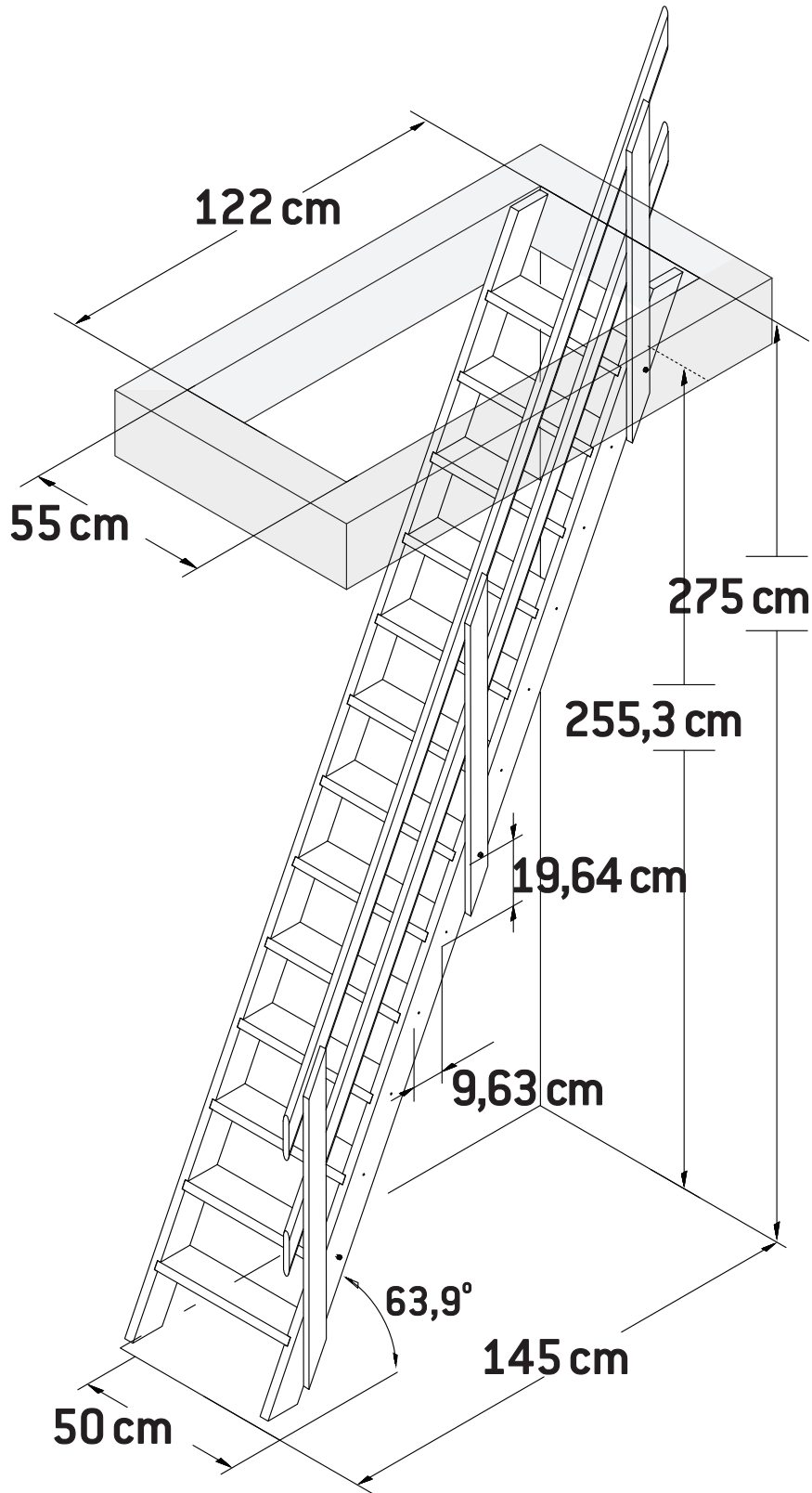




COTTAGE PREMIUM RAMPE PREMIUM






- Ⓡ COTTAGE PREMIUM RAMPE
- Ⓡ COTTAGE PREMIUM LEUNING
- Ⓡ COTTAGE PREMIUM BANISTER
- Ⓡ COTTAGE PREMIUM GELANDER
- Ⓡ COTTAGE PREMIUM BARANDILLA
- Ⓡ COTTAGE PREMIUM RAMPA

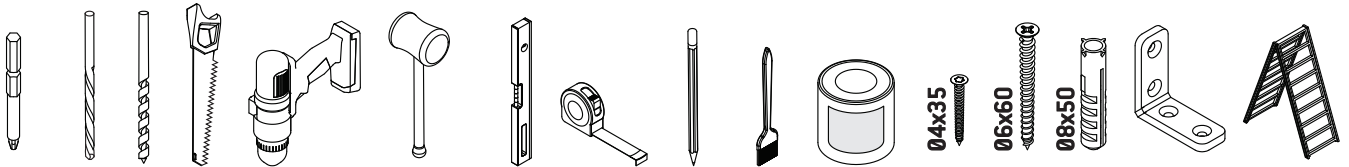


- Acm
- B.....cm
- Ccm
- Dcm
- Ecm
- Fcm



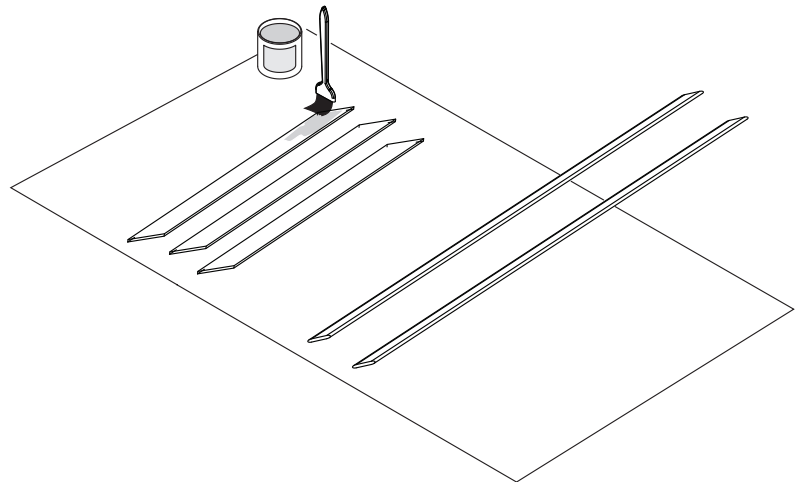
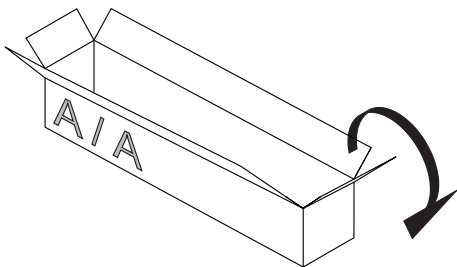
SOGEM *Group*

<p>01 20x60x3122 x2</p> 	<p>02 20x60x1000 x3</p> 	<p>03 04x40 x12</p> 
--	--	--



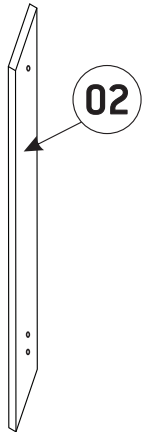
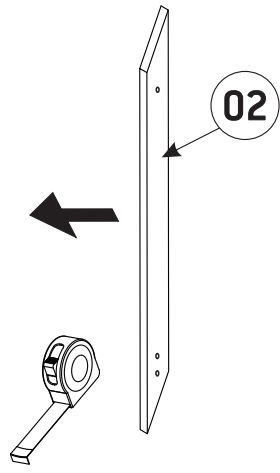
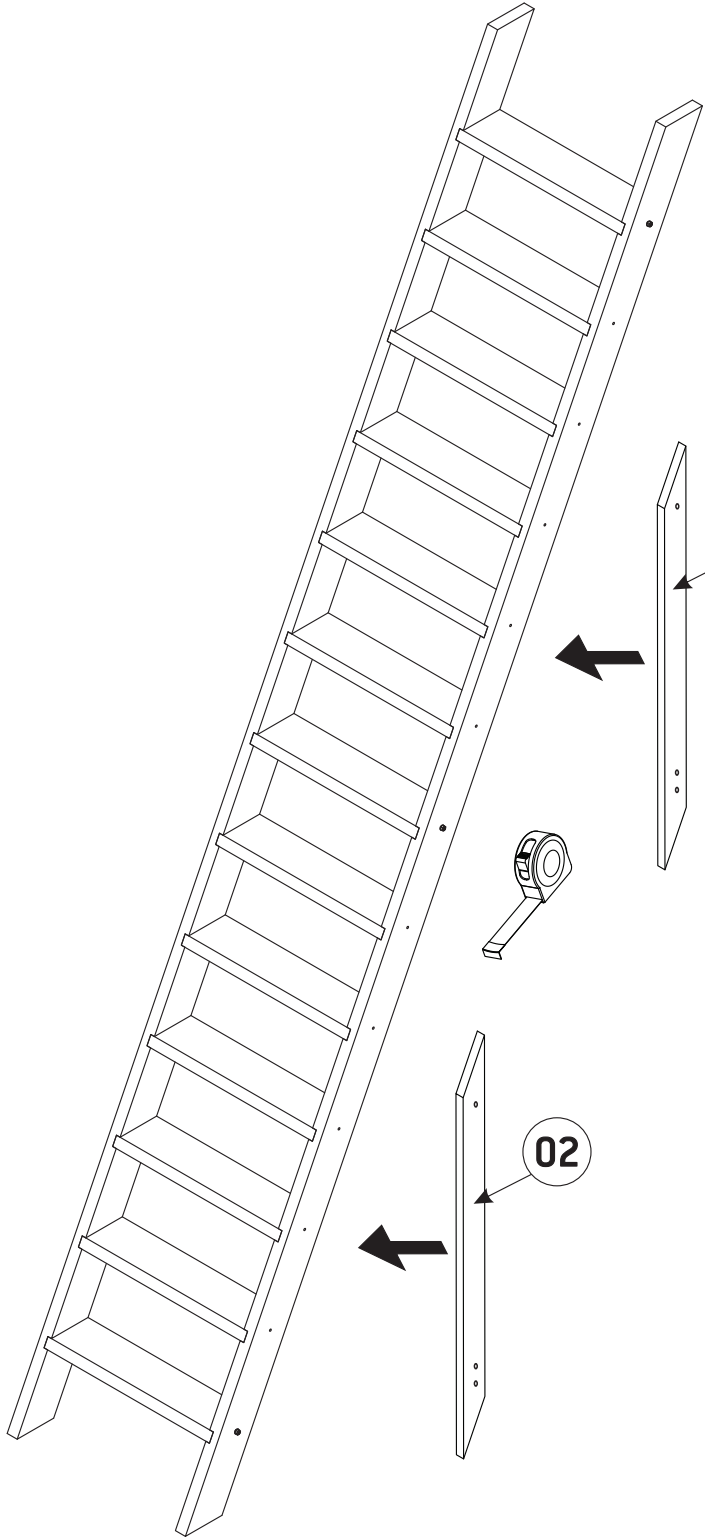
Ph2/3 010 04
Pz2/3 08 012

1

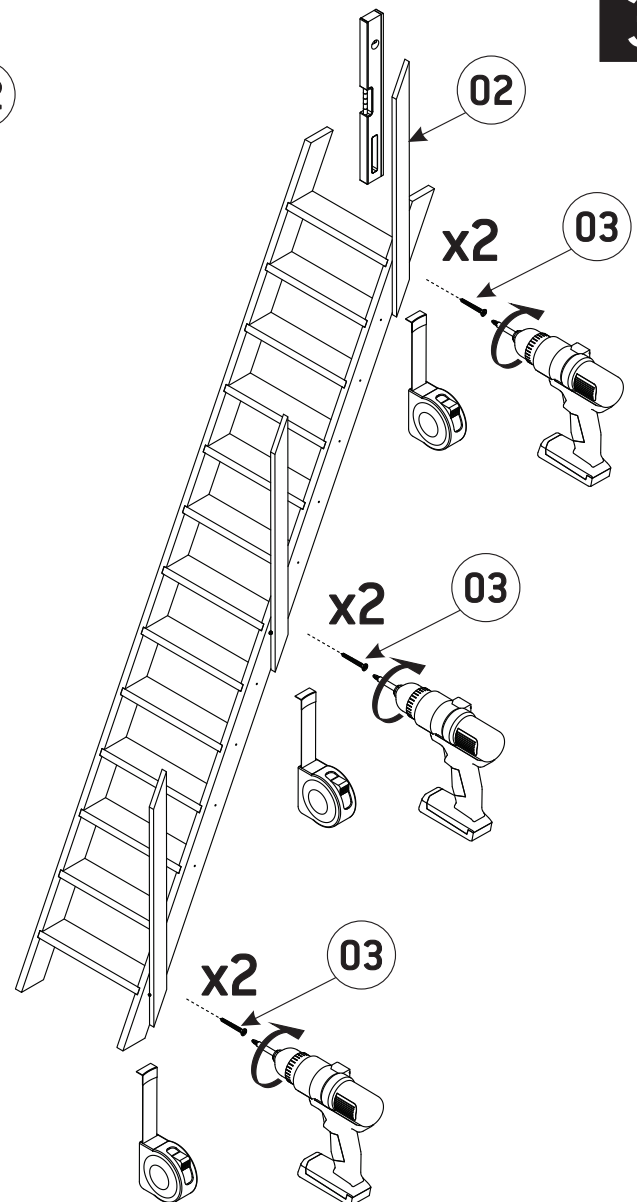




2

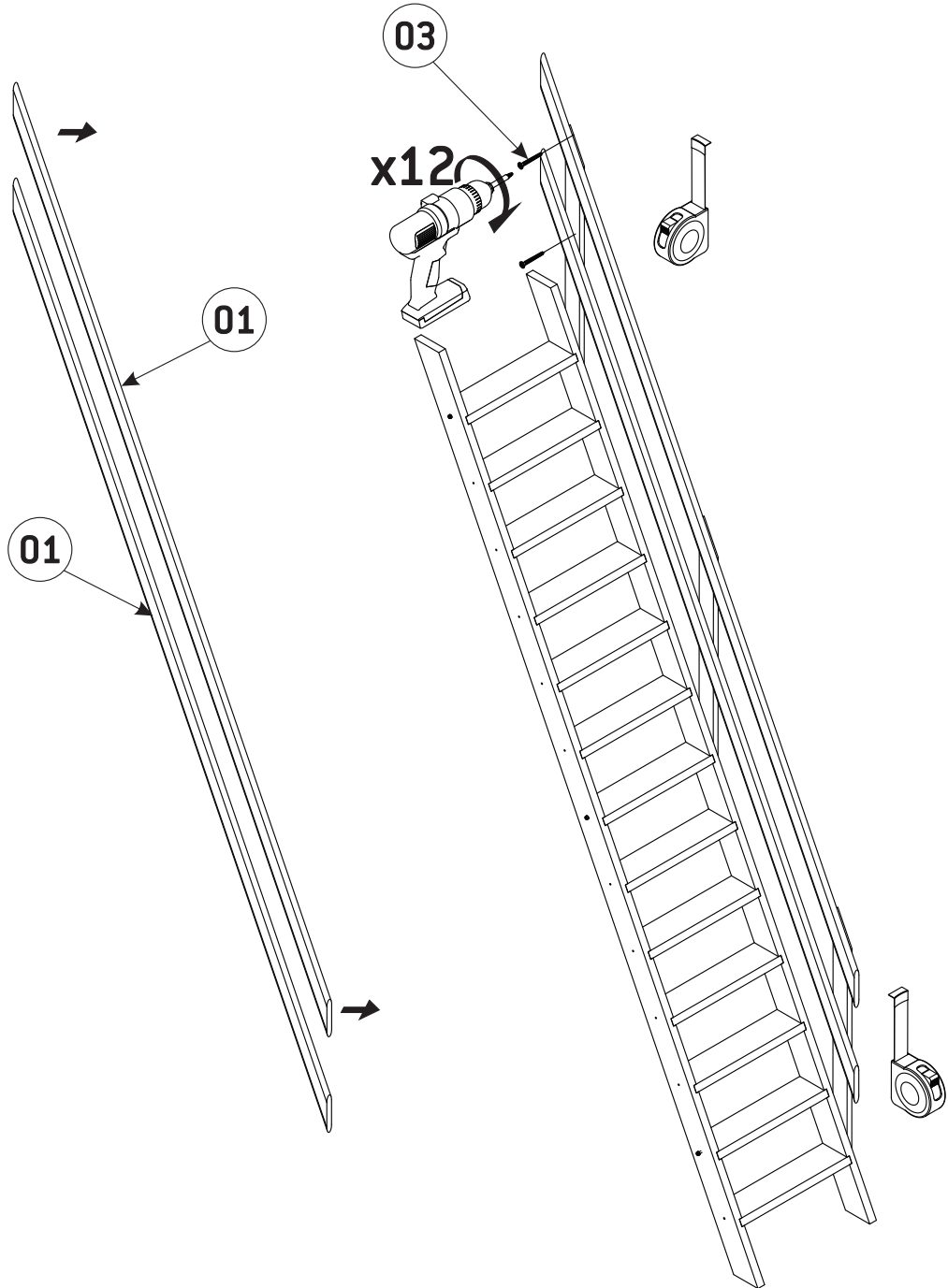


3

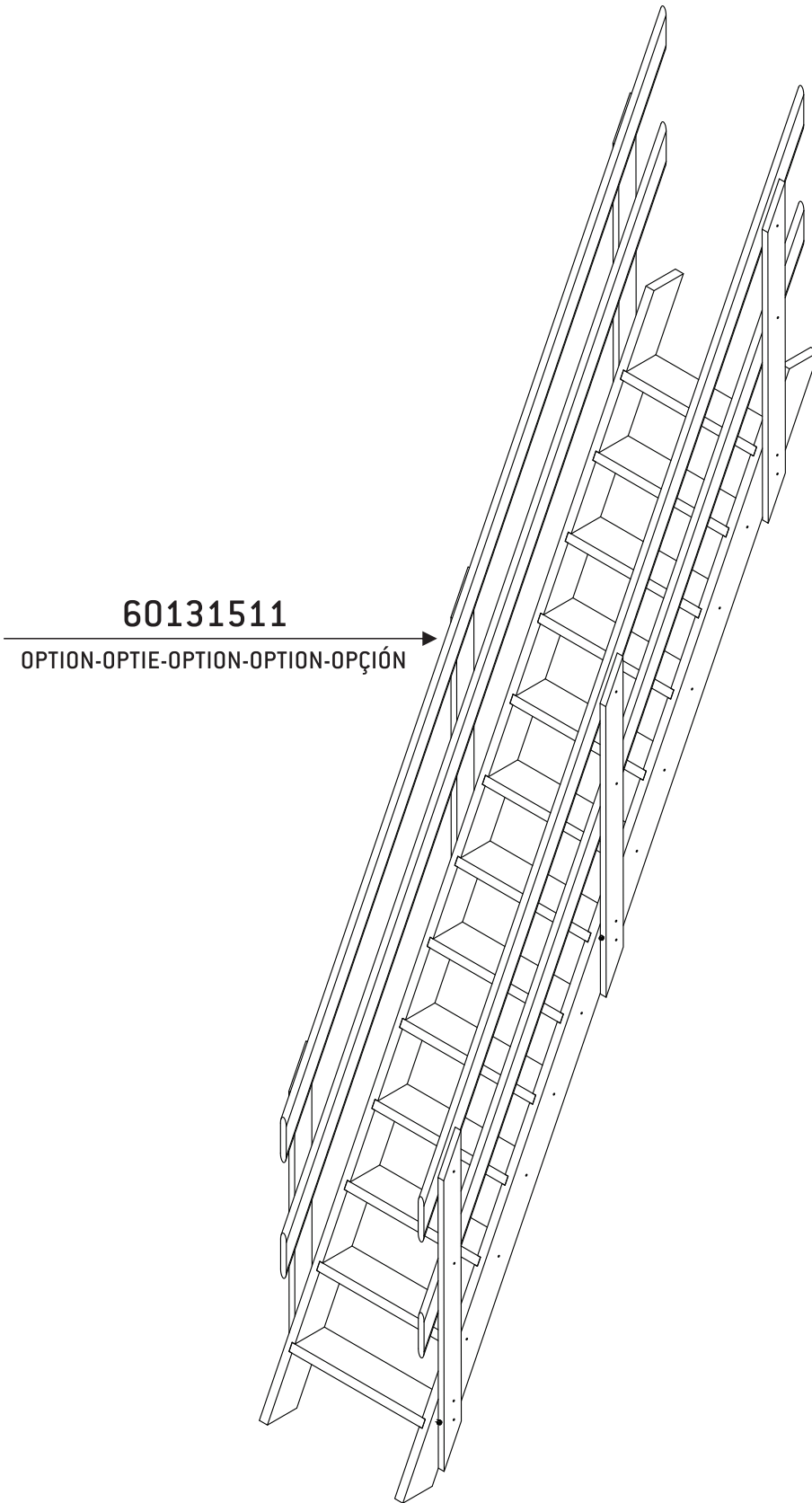




3



4



RUE GRIMARD,39 B-6061 MONTIGNIES-SUR-SAMBRE(CHARLEROI)-BELGIUM
TEL: +32/71/25.39.60 FAX: +32/71/25.39.72 E-MAIL: info@sogem-sa.com