

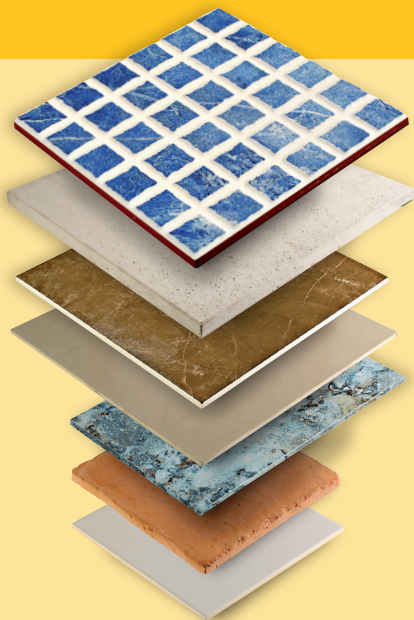
DIAMOND DRILL BIT SPECIAL GRINDER



NEW



GRES (up to classe 5) - TILE - GRANITE



- All gres up to class 5 (PEI)
- Tile • Terracota • Granite



Feature

- Head with diamond segments.
- Core extraction.
- M14 shank.

Benefits

- Stoneware drilling up to class 5.
- Clean hole without any splinters.
- Long useful length.
- Can be used dry on a grinder.

VIDEO DEMO



Adaptor M14 - 6 sides for drill
Ref. 426E



Ref.423

Available range individual packaging
Ø 6-7-8-10-12-13-15-20-25 mm



DIAGER[®]
PROFESSIONAL TOOLS MANUFACTURER

USE



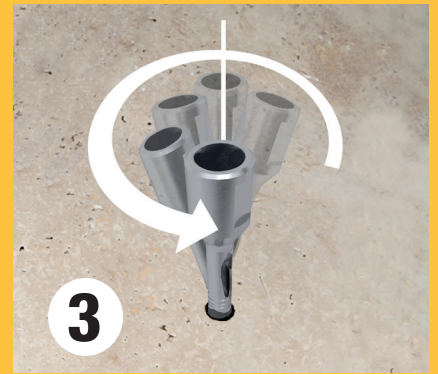
1

To avoid the sliding of the drill, start with a 45° angle.



2

Once the drill bit is inside the material, make sure the angle between the drill bit and the material reaches gradually 90°.



3

Make a swinging movement

! CONTROL

VIDEO TUTO



IF THE DRILL IS NOT EFFICIENT ? TOOL HEATED ? SHARPEN IT

TOOL VISUAL INSPECTION



- A heating up (darkened segment) picture.
- The diamond segment is glazed.

SHARPENING REFRESHES THE CUTTING POWER OF THE TOOL



- To sharpen the tool, make a hole in the stone at low speed.

Sharpening
stones
Refs. 416,
416A, 417

