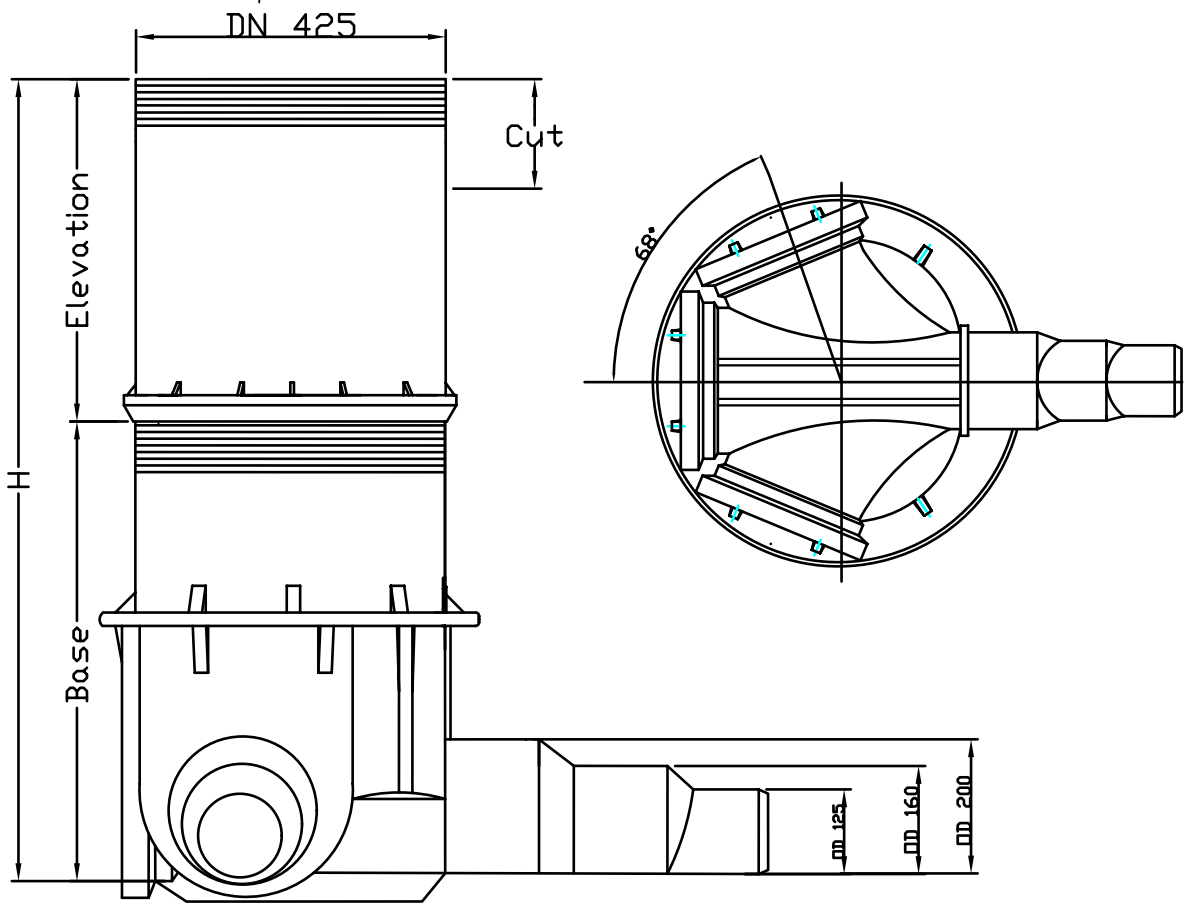


REVISIONS				
ZONE	REV	DESCRIPTION	DATE	APPROVED



→
1.5 %

Part N.	Maximum Height (H)	Minimum Height	Parts		Con.	Cut
			Base	Elevation		
3B 45/70 200	70	50	70	--	-	20
3B 45/100 200	100	70	100	--	-	30
3B 45/120 200	120	100	70	50	1	20
3B 45/150 200	150	120	100	50	1	30
3B 45/170 200	170	150	70	50X2	2	20
3B 45/190 200	190	160	100	20X2,50	3	30
3B 45/200 200	200	170	100	50X2	2	30
3B 45/220 200	220	200	70	50X3	3	20
3B 45/250 200	250	220	100	50X3	3	30

ROTONIV TECHNOLOGIES LTD
P.O.B 214, Or-Akiva, 30600, Israel
Tel: +972-4-6363787
Fax: +972-4-6363913
Rotoniv@Rotoniv.com
www.Rotoniv.com

3B 425/XXX 200

Base Rotoniv DN 425,
3 In 50mm-200mm,
1 Out 125mm/150mm/200mm

Drawn by: Eng. SnirM	SIZE	FSCM NO.	DWG NO.	051	REV
	SCALE	Date: 12/2007	SHEET		01